



Computer Hardware Design



CHD xsPOS

Cash register system

CHD xsPOS is a universal cash system solution, designed to be used at the point of sale and connected to the accounting system of your company. CHD xsPOS is compatible with previously developed CHD technical solutions and thus the existing CHD clients require only minimal changes made to the data transfer interface and its validation.

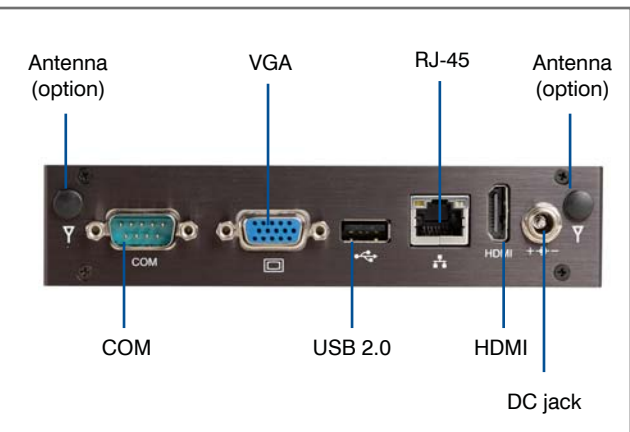
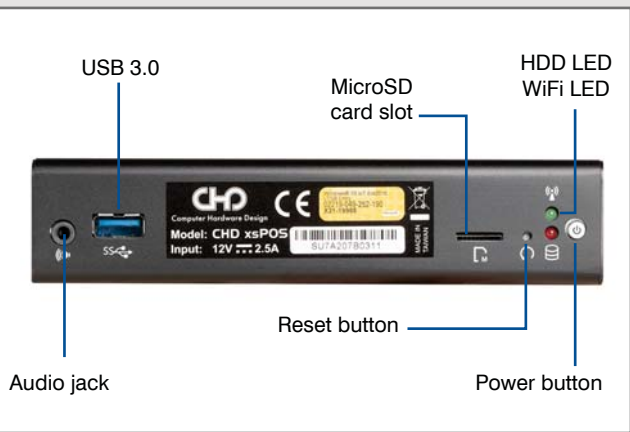
For new clients, we provide detailed documentation on the operation of CHD xsPOS and the data sending interface to make the integration process simple and fast.

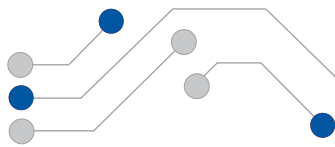
CHD xsPOS solution complies with the requirements of the Cabinet of Ministers of the Republic of Latvia.



CASH REGISTER SYSTEM xsPOS

REGISTERED PROGRAM	FISCAL MEMORY MODULE	
CONTROL DATA	ELECTRONIC JOURNAL	
SYSTEM LOG DATA	BACK-UP DATA	





CHD xsPOS

Cash register system



Computer Hardware Design

Specification

System	
Microarchitecture	Intel® Bay Trail
Processor	Intel® Atom™ E3825
Number of Cores	2
Cache	1M
Frequency	1.33 GHz
TDP	6W
Graphics	Intel® HD Graphics
Memory	1x DDR3L 1067 SO-DIMM 4GB installed
Display interface	
HDMI	1 (on rear, 1920 x 1080 @ 60Hz)
VGA	1 (on rear, 2560 x 1600 @ 60Hz)
Audio	
Audio codec	Realtek ALC662
Line-Out/Mic-In	1 (on front)
Ethernet	
10/100/1000 LAN	1 (RJ-45 on rear, Realtek RTL8111G)
USB	
USB3.0	1 (Type A on front)
USB2.0	1 (Type A on rear)
USB2.0	1 (Internal for Fiscal Memory connection. CHDFM3 installed)
Serial Port	
RS-232	1 (DB9 on rear)
Storage & Expansion	
mSATA	1 (full size) 64GB SSD installed
Micro SD Socket	1 (on front)
mPCIe	1 (full size) for Wi-Fi or 3G/4G module
SIM Card Holder	1
Power	
Connector	Lockable DC Jack (on rear)
Input Voltage	DC 12V
Power Adapter	AC to DC, 100V ~ 240V
Firmware	
BIOS	AMI UEFI BIOS w/ 64Mb SPI Flash
Watchdog	Programmable WDT to generate system reset event
H/W Monitor	Temperatures, Voltages
Real Time Clock	SoC integrated RTC
System Control & Monitoring	
Button, Switch & Indicator	1x Power Button w/ LED (on front), 1x Reset Button (on front), 1x Storage LED (on front), 1x Wireless LED (on front)
Software	
OS Support	Linux, Windows 7, Windows 8, Windows 10, Windows 10 Enterprise 2016 LTSC preinstalled
Mechanical Characteristics	
Construction	Aluminium Chassis
Dimensions (W x D x H)	151 x 81 x 33 mm / 5.94" x 3.19" x 1.30"
Weight	500 g / 1.10 lb
Environmental Characteristics	
Operation Temperature	0°C ~ 50°C / 32°F ~ 122°F
Storage Temperature	-20°C ~ 80°C / -4°F ~ 176°F
Humidity	0% ~ 90%
Certifications	
EMC & Safety	CE, FCC Class A

Rev. date: 04.09.2019